

PT460 (G306)

PT460 (G306)

PARTS CATALOG

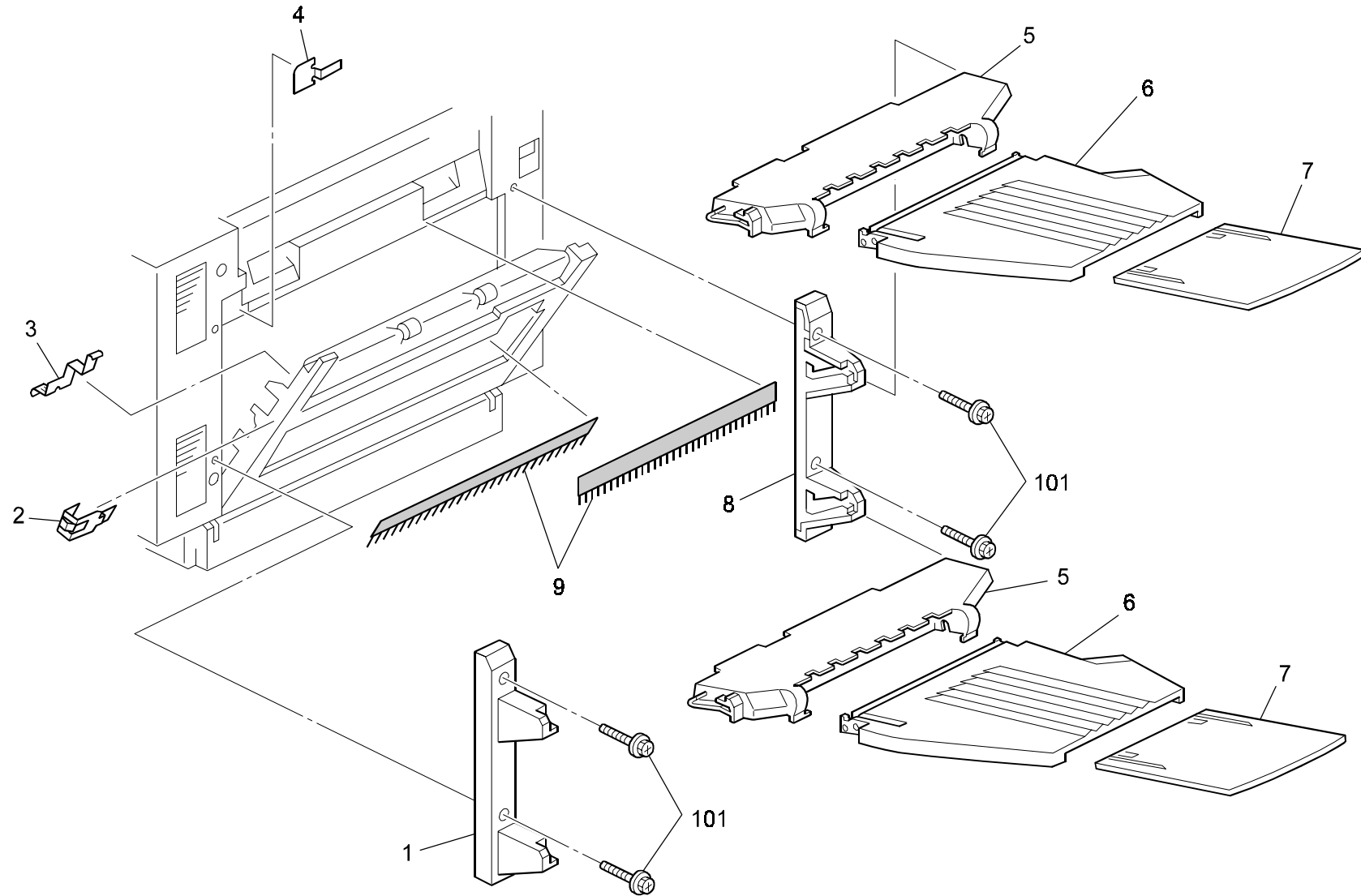
This catalog gives the numbers and names of parts on this machine.

CONTENTS

1.MULTI-BIN UNIT (G306)	2
PARTS INDEX.....	5

January ,15 ' 2001

1.MULTI-BIN UNIT (G306)



1.MULTI-BIN UNIT (G306)

Index No.	Part No.	Description	Q'ty Per Assembly
1	G306 4460	Rear Frame	1
2	G306 4483	Lower Ground Plate	1
3	G306 4481	Exit Ground Plate	1
4	G306 4482	Upper Ground Plate	1
5	G306 4471	Option Tray Holder	2
6	G060 4491	Exit Tray	2
7	G060 4492	Sub Exit Tray	2
8	G306 4450	Front Frame	1
9	AA12 0112	Discharge Brush	2

Index No.	Part No.	Description	Q'ty Per Assembly
101	0451 3014H	Tapping Screw - 3x14	

Parts Index

Parts Index

Part No.	Description	Page and Index No.
G306 4450	Front Frame	3- 8
G306 4460	Rear Frame	3- 1
G306 4471	Option Tray Holder	3- 5
G306 4481	Exit Ground Plate	3- 3
G306 4482	Upper Ground Plate	3- 4
G306 4483	Lower Ground Plate	3- 2

Part No.	Description	Page and Index No.
G060 4491	Exit Tray	3- 6
G060 4492	Sub Exit Tray	3- 7
AA12 0112	Discharge Brush	3- 9
0451 3014H	Tapping Screw - 3x14	3-101